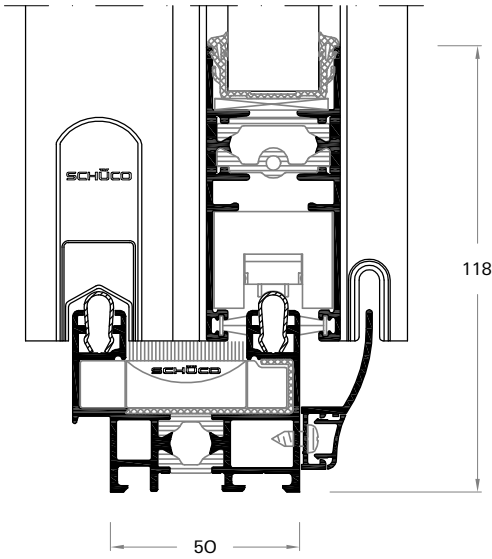


Schüco ASS 39 SC



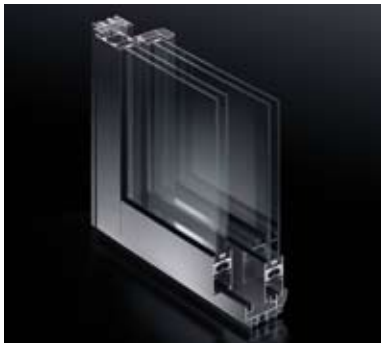


Section detail Schüco ASS 39 SC single track
Scale 1:2

Schüco ASS 39 SC

The new Schüco ASS 39 SC sliding system offers good heat insulation. This system allows the possibility of having bicolour profiles. Moreover, it allows the construction of elements with one, two or three rails.

- Thermally insulated sliding construction
- Basic depth: 50 mm
- Glass thickness up to 28 mm
- Maximum vent weight: 160 kg
- Standard constructions/Versions:
 - Double track design
 - Triple track design
 - Single track design (new)
- Vent profiles in two different designs:
 - Softline with rounded outline/contour
 - Cabinet-contour for classical architecture
- Individual solutions:
 - Combination of single and double track versions for different options such as toplights, balustrades or fixed lights



Schüco ASS 39 SC TipTronic double track

Schüco ASS 39 SC TipTronic

This sliding system offers the same advantages as Schüco ASS 39 SC and also incorporates new electromechanical fittings based on Schüco TipTronic.

ASS 39 SC TipTronic

- The automated and integrated sliding system solution based on the Schüco TipTronic fitting
- Offers optimum ventilation
- Fully concealed drive system
- Modern, simple operation of sliding units even in inaccessible areas
- Electronic anti-mishandling device
- Occupants enjoy luxury comfort and a pleasant room climate

Schüco International KG
www.schueco.com



Excellent Aluminium Systems
Sales Manager: Ole Ohm
Tel: 021 424 3070 · Fax: 021 424 3070 · Cell: 083 266 3120
Email: ole@excellentaluminium.co.za
Address: 43 Bellevue Road
Higgovale, Cape Town 8001